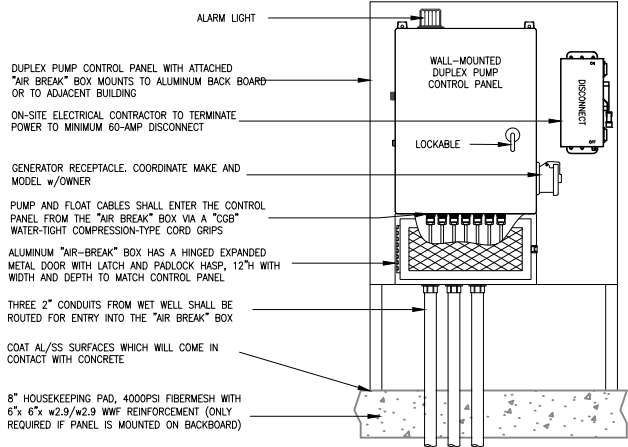
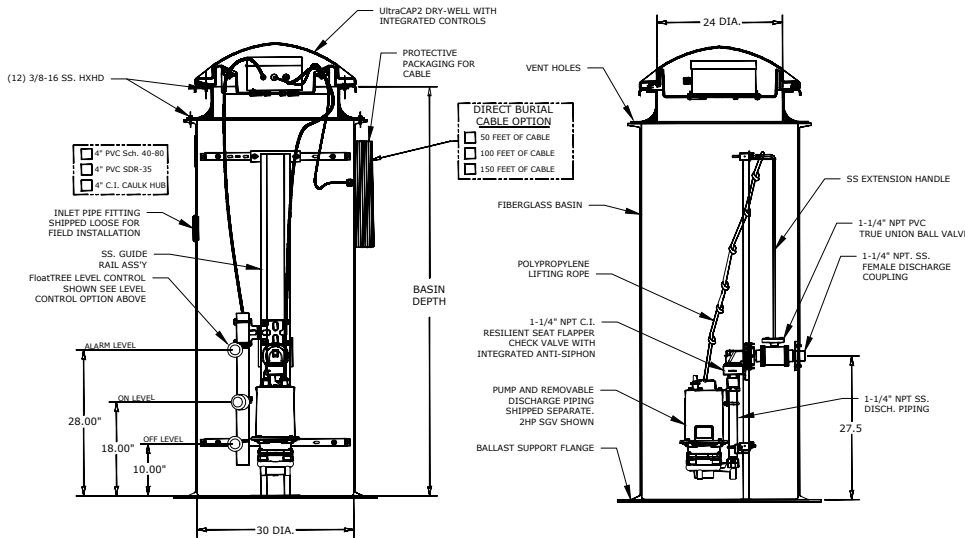
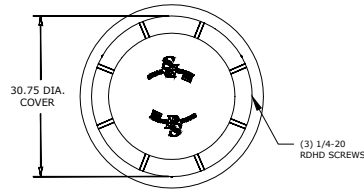
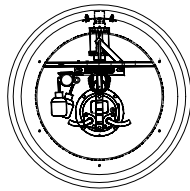


**E/ONE PRE-ENGINEERED RESIDENTIAL GRINDER STATION
FOR USE WITH PUMP MODEL DH071**

CONTROL PANEL MUST MEET CURRENT FLDEP STANDARDS



**RESIDENTIAL GRINDER PUMP STATION
TYPICAL ELECTRICAL PANEL**



**BARNES PRE-ENGINEERED RESIDENTIAL GRINDER STATION
FOR USE WITH PUMP MODEL 3SE2024DS**

NOTES:

- RESIDENTIAL GRINDER PUMP STATION SHALL BE OWNED AND MAINTAINED BY THE CUSTOMER. IT IS RECOMMENDED THAT ALL PUMP STATIONS BE A SEMI-POSITIVE DISPLACEMENT TYPE. A CHECK VALVE AND BALL VALVE SHALL BE PROVIDED AT THE PUMP STATION AND MAINTAINED BY THE CUSTOMER.
- THE CUSTOMER IS RESPONSIBLE FOR HIRING AN INDEPENDENT THIRD PARTY TO PROVIDE A FINAL DESIGN CONDITION FOR THE GRINDER PUMP AND ENSURING THAT THE PUMP WILL WORK FOR ALL CONDITIONS. HNWS WILL PROVIDE A GENERAL DESIGN CONDITION ONLY FOR COMPARISON.
- INSTALL WITH ANTI-FLOTATION BALLAST AS RECOMMENDED BY THE MANUFACTURER.

HNWS RECOMMENDED PUMPS:

BARNES:
3SE2024DS

E/ONE:
DH071

EBARA:
32DGUII

LIBERTY:
LSG202

ZOELLER:
SERIES 820 GRINDER PUMP

LIBERTY:
IGPH SERIES - FOR HIGH HEAD APPLICATIONS

SCALE: AS NOTED

DATE: MARCH 17, 2023

JOB NUMBER:
9-0001-04

FILENAME:
SEE LEFT

DRAWN BY:
EMD

DESIGNED BY:
CS

DETAIL:

D-142

**RESIDENTIAL GRINDER
STATIONS & PUMPS**

